

Meadow Creek®

PR72GT

Overall Dimensions: 130"L x 41"W x 45"H

Grate Dimensions: 24" x 70", Custom Wire Grid ½" Spacing

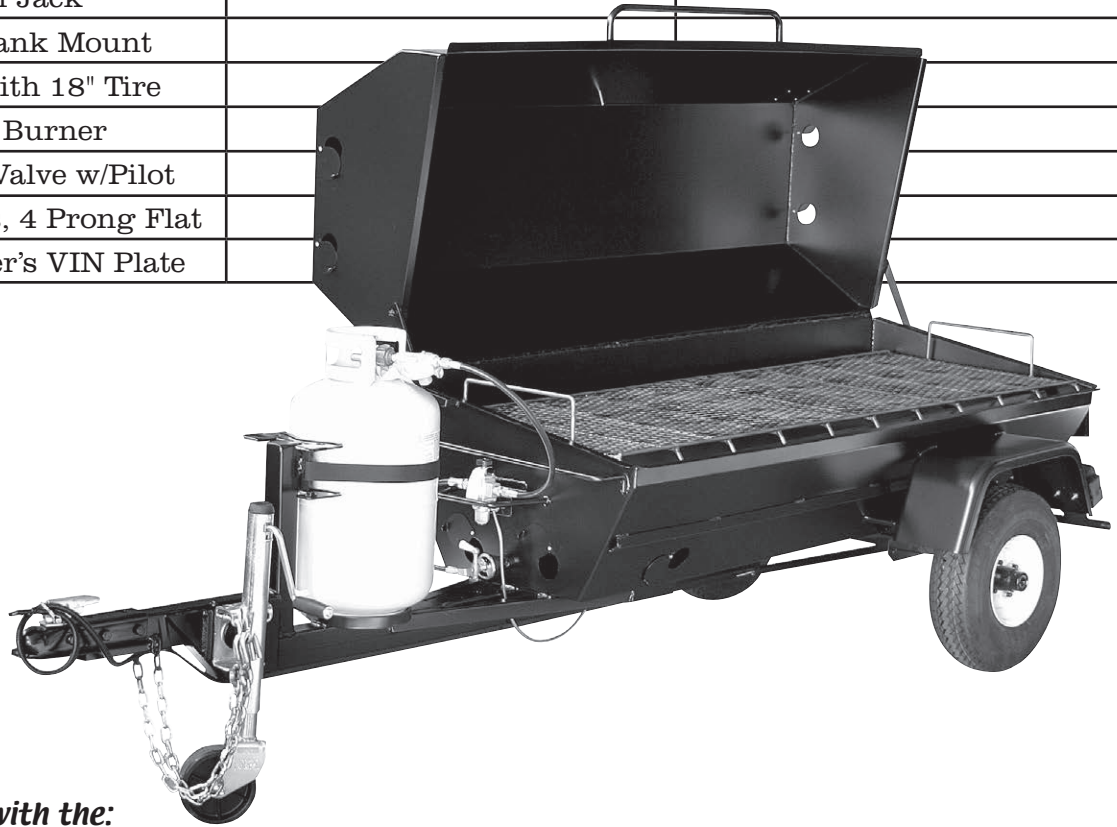
2nd Tier Grate Dimensions: 22" x 70"

Net Weight: 530 lbs.

Shipping Weight: 675 lbs.

Product Details: Metal Thickness 13 Gauge • Approx. 82,000 BTU.

Standard	Standard Options	Standard Options
Stainless Steel Grate	Charcoal Insert, 13 Gauge	Charcoal Grilling Pan
Thermometer	Vinyl Cover	Fire Extinguisher Mount
Grease Drip Pan	Chip Tray, 1' x 2'	Certificate of Origin
2" Ball Hitch	2nd Tier Grate, 8" High	
Safety Chains	Doors In Lid	
Rubber Torque Axle	Spare Tire w/Mount	
Highway Wheels	30 lb. or 43 lb. Propane Tank	
E.Z. Lube Bearing	Rib Rack	
Wheel Jack		
L.P. Gas Tank Mount		
8" Wheel with 18" Tire		
1" Pipe Burner		
Gas Safety Valve w/Pilot		
Trailer Lights, 4 Prong Flat		
Manufacturer's VIN Plate		



Recommended with the:

PR72G & PR72GT - This unit is gas fired. A 30 lb. tank will do approximately 13 hours of cooking at a temperature of about 300-325 degrees.

Meadow Creek Welding uses only food grade T-304 stainless steel in the fabrication of parts identified as "stainless steel" that will contact food under normal use. This includes, but is not limited to: Grates, racks, shelving, work surfaces and complete units constructed primarily of stainless steel and sold using that description.



PR72GT

